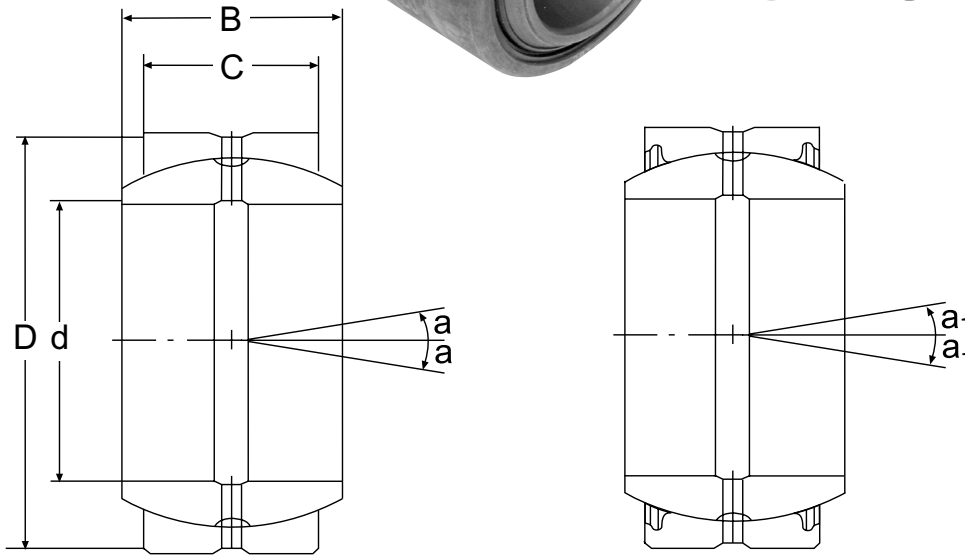




SPHERICAL PLAIN BEARING INCH SIZES



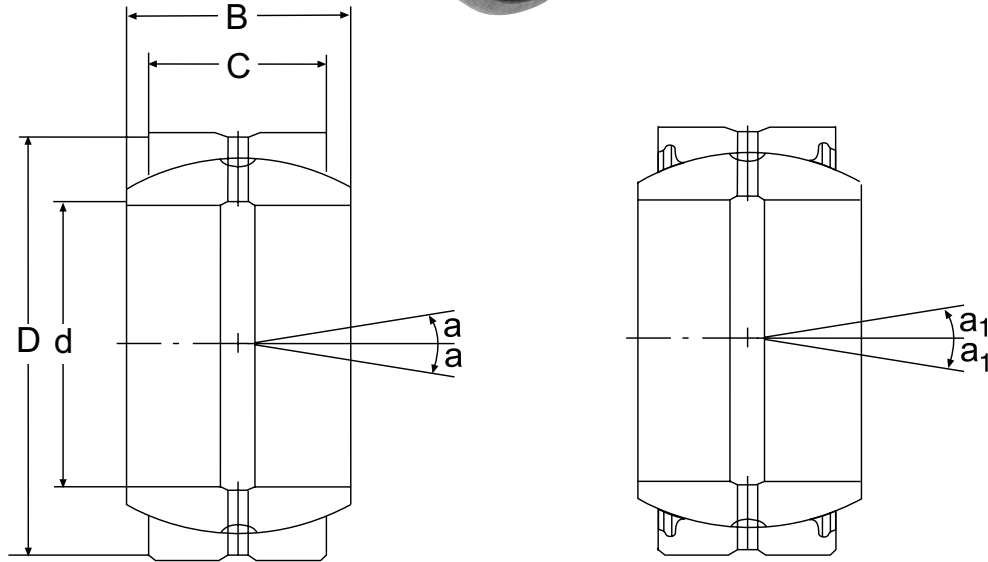
Part Number		Dimensions (Inch)				Angle of Tilt (°)	Load Ratings (kN)		Weight Lbs.
Without Seals	With Seals	d	D	B	C	a	Dynamic	Static	
GEZ 008 ES		0.500	0.8750	0.437	0.375	6	13	41	0.044
GEZ 010 ES		0.625	1.0625	0.547	0.469	6	22	65	0.077
GEZ 012 ES		0.750	1.2500	0.656	0.562	6	31	95	0.120
GEZ 014 ES		0.875	1.4375	0.756	0.656	6	42	127	0.190
GEZ 100 ES	GEZ 100 ES-2RS	1.000	1.6250	0.875	0.750	6	56	166	0.260
GEZ 104 ES	GEZ 104 ES-2RS	1.250	2.0000	1.093	0.937	6	86	260	0.510
GEZ 106 ES	GEZ 106 ES-2RS	1.375	2.1875	1.187	1.031	6	102	310	0.770
GEZ 108 ES	GEZ 108 ES-2RS	1.500	2.4375	1.312	1.125	6	125	375	0.930
GEZ 112 ES	GEZ 112 ES-2RS	1.750	2.8125	1.531	1.312	6	170	510	1.410
GEZ 200 ES	GEZ 200 ES-2RS	2.000	3.1875	1.750	1.500	6	224	670	2.050
GEZ 204 ES	GEZ 204 ES-2RS	2.250	3.5625	1.969	1.687	6	280	850	2.870
GEZ 208 ES	GEZ 208 ES-2RS	2.500	3.9375	2.187	1.875	6	355	1060	4.080
GEZ 212 ES	GEZ 212 ES-2RS	2.750	4.3750	2.406	2.062	6	415	1250	5.290
GEZ 300 ES	GEZ 300 ES-2RS	3.000	4.7500	2.625	2.250	6	500	1500	6.830
GEZ 304 ES	GEZ 304 ES-2RS	3.250	5.1250	2.844	2.437	6	585	1760	8.380
GEZ 308 ES	GEZ 308 ES-2RS	3.500	5.5000	3.062	2.625	6	680	2040	10.600
GEZ 312 ES	GEZ 312 ES-2RS	3.750	5.8750	3.281	2.812	6	780	2360	12.800
GEZ 400 ES	GEZ 400 ES-2RS	4.000	6.2500	3.500	3.000	6	900	2650	15.400
GEZ 408 ES	GEZ 408 ES-2RS	4.500	7.0000	3.937	3.375	6	1120	3400	21.600
GEZ 412 ES	GEZ 412 ES-2RS	4.750	7.3750	4.156	3.562	6	1250	3700	25.400
GEZ 500 ES	GEZ 500 ES-2RS	5.000	7.7500	4.375	3.750	6	1400	4150	29.800
GEZ 600 ES	GEZ 600 ES-2RS	6.000	8.7500	4.750	4.125	6	1730	5200	38.600

GEN SERIES



SPHERICAL PLAIN BEARING

METRIC SIZES



Part Number		Dimensions (Metric)				Angle of Tilt (°)		Load Ratings (kN)		Weight Kg
Without Seals	With Seals	d	D	B	C	a	a1	Dynamic	Static	
GE 15 ES	GE 15 ES-2RS	15	26	12	9	8	5	17	85	0.027
GE 17 ES	GE 17 ES-2RS	17	30	14	10	10	7	21	106	0.041
GE 20 ES	GE 20 ES-2RS	20	35	16	12	9	6	30	146	0.066
GE 25 ES	GE 25 ES-2RS	25	42	20	16	7	4	48	240	0.119
GE 30 ES	GE 30 ES-2RS	30	47	22	18	6	4	62	310	0.153
GE 35 ES	GE 35 ES-2RS	35	55	25	20	6	4	80	400	0.233
GE 40 ES	GE 40 ES-2RS	40	62	28	22	7	4	100	500	0.306
GE 45 ES	GE 45 ES-2RS	45	68	32	25	7	4	127	640	0.427
GE 50 ES	GE 50 ES-2RS	50	75	35	28	6	4	156	780	0.546
GE 60 ES	GE 60 ES-2RS	60	90	44	36	6	3	245	1220	1.040
GE 70 ES	GE 70 ES-2RS	70	105	49	40	6	4	315	1560	1.550
GE 80 ES	GE 80 ES-2RS	80	120	55	45	6	4	400	2000	2.310
GE 90 ES	GE 90 ES-2RS	90	130	60	50	5	3	490	2450	2.750
GE 100 ES	GE 100 ES-2RS	100	150	70	55	7	5	610	3050	4.450
GE 110 ES	GE 110 ES-2RS	110	160	70	55	6	4	655	3250	4.820
GE 120 ES	GE 120 ES-2RS	120	180	85	70	6	4	950	4750	8.050
GE 140 ES	GE 140 ES-2RS	140	210	90	70	7	5	1080	5400	11.020
GE 160 ES	GE 160 ES-2RS	160	230	105	80	8	6	1370	6800	14.010
GE 180 ES	GE 180 ES-2RS	180	260	105	80	6	4	1530	7650	18.650
GE 200 ES	GE 200 ES-2RS	200	290	130	100	7	4	2120	10600	28.000
GE 220 ES	GE 220 ES-2RS	220	320	135	100	8	5	2320	11600	35.510

GE SERIES

MEYA BEARING CO., LIMITED

TEL/WhatsApp: 0086-15966272020 0086-15265512555

E-mail: sales1@meyabearing.com sales2@meyabearing.com

Skype: mandybearing jasonforbearing

Website: <http://www.meyabearing.com>